

Construction Management (CONM) 2022-2023

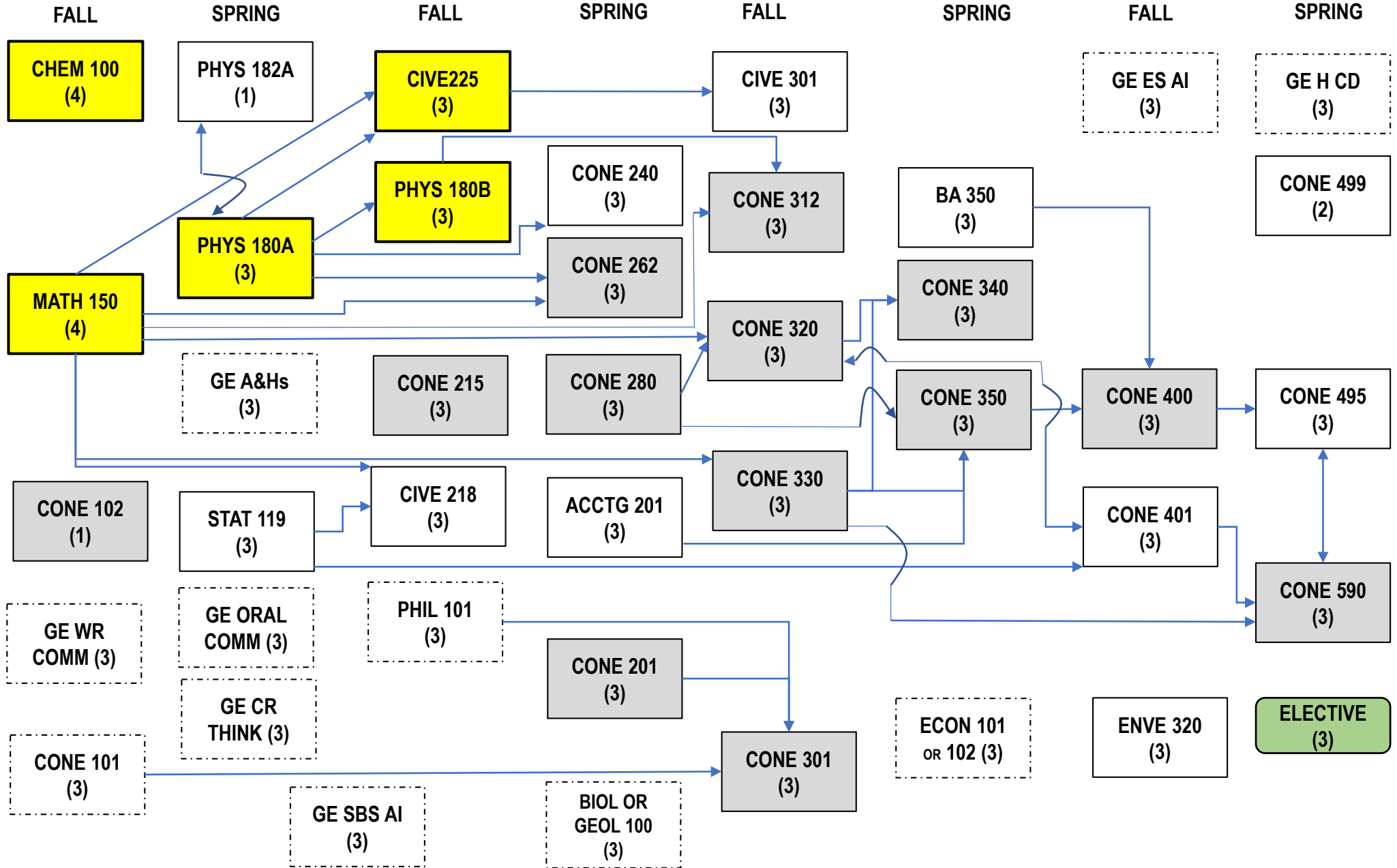
Name: _____
 Red ID: _____
 Email: _____

YEAR 1

YEAR 2

YEAR 3

YEAR 4



Legend:

Course Number (Number of units)	C or Better required	General Education (GE)	Offered ONLY Fall or Spring semester	Elective – Select one (check prerequisites): BA 360; CONE 520; FIN 331 or 437; MGT 352		Phys 180A and 182A, CONE 320 and CONE 401, CONE 495 and CONE 590 can be taken concurrently
------------------------------------	----------------------	------------------------	---	--	--	--