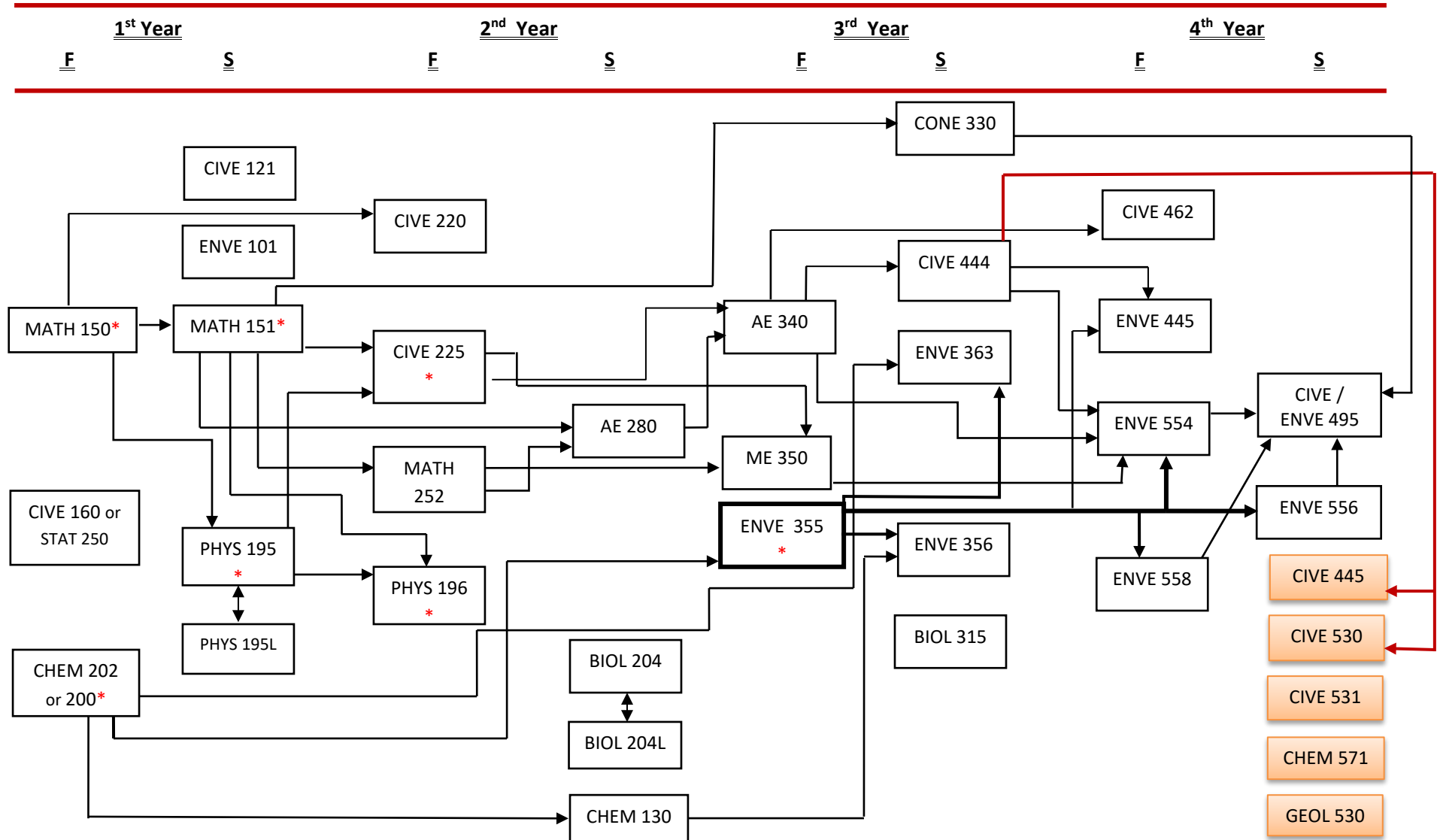


Environmental Engineering

2020 – 2021 Catalog 8/12/20



*Course must be completed with a C or higher

Professional Electives (Choose 1 course. Total of 3 units). =