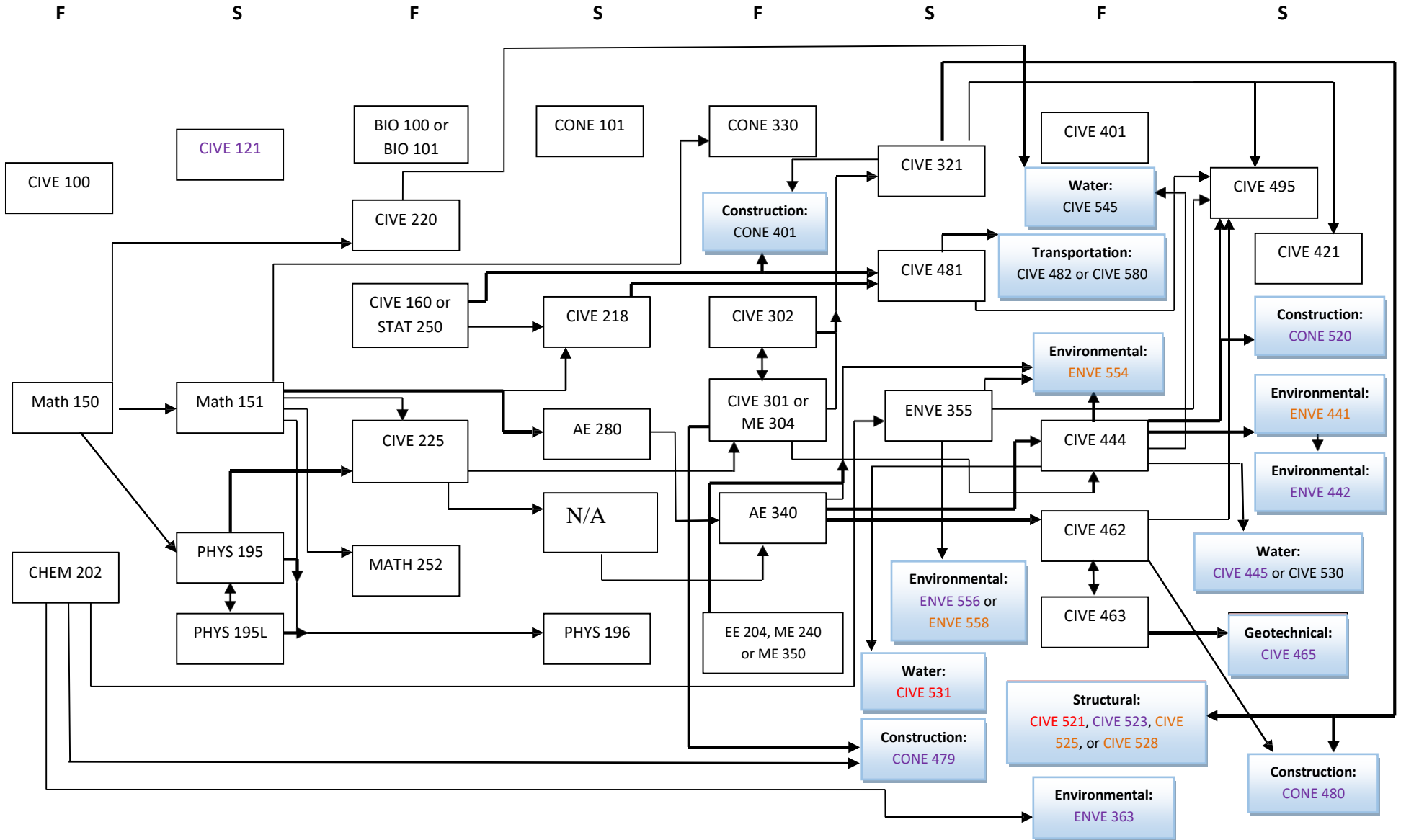


# Civil Engineering

2020 – 2021 Catalog . 8.28.20



Professional Electives (1 course from at least 4 of the 6 areas. Total of 15 units). =

Orange courses are only offered in the fall semester.

Purple courses are only offered in the spring semester.

Red courses are only offered in the summer semester.